

# HAND PALLET TRUCKS

OPERATORS MANUAL  
INSTRUCTION MANUAL  
PARTS & SERVICE



LOW PROFILE TRUCKS



UNIQUE CAPACITY/APPLICATION



OPTIONS AND ACCESSORIES

EXCLUSIVE

**2**  
year  
hydraulic pump

WARRANTY

**LIAFRITE®**

## Owner / Operators Instructions and Spare Parts Manual

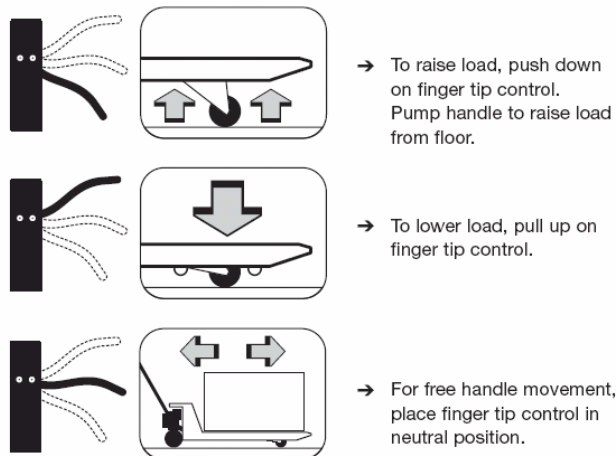
### DELIVERY INSPECTION

Visually inspect hand pallet truck frame components and hydraulic unit for damage during shipment by carrier. If damage is evident, notify delivering carrier immediately and file necessary claims. Test the hand pallet truck pump for operation. If the hydraulic pump does not respond to movement of the handle, an air lock may have developed during shipping. To remedy this, pull and hold the release lever then operate the pump several times. If the pump still fails to respond, see the troubleshooting guide.

### SAFETY PROCEDURES

Never overload your hand pallet truck. Stay within rated capacity. Do not operate truck if it has been damaged or is not in proper working order.  
Distribute the load evenly on the forks. Do not concentrate loads at one point or load one fork more than the other. Only handle loads on flat level surfaces. Do not use this truck with load on inclines or declines.  
Never put your feet, hands or any other body part under the frame assembly.  
Do not allow your hand pallet truck to drop from one level to another.  
Even a drop of 1" (25mm) more than doubles the effective load momentarily and results in a "Shock" which can bend or break components.  
Always ensure load is stable before moving to eliminate opportunity for load shift.  
When not in use, forks should be fully lowered to avoid injury.

### OPERATING INSTRUCTIONS



### NOTE:

The neutral position disengages the pump from the lifting mechanism. This frees the handle, which makes pulling loads much easier. Also the pump is not being subjected to shock pressures while the truck is in motion.

### HAND PALLET TRUCK WARRANTY

Lift-Rite Inc. will guarantee this product against material or manufacturing defects provided the truck has not been abused and is used under normal conditions\*. Lift-Rite Inc. will provide replacement components for those deemed defective by Lift-Rite Inc. under the terms listed below for the following model:

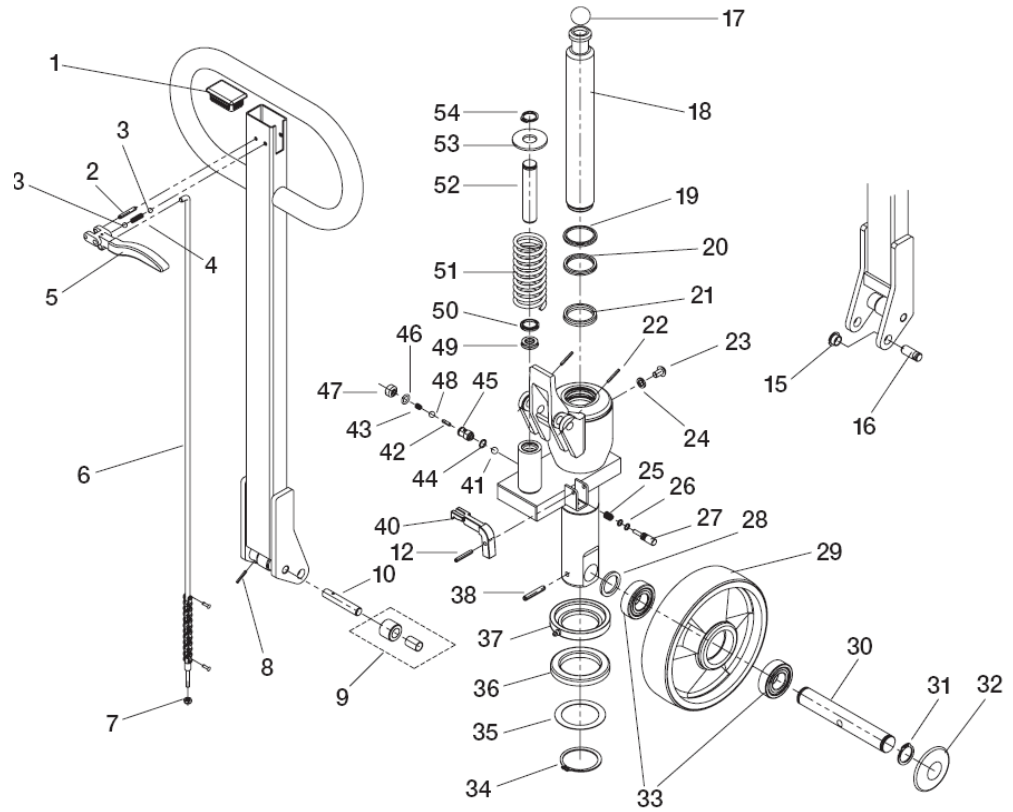
#### Models LR0655

The complete hydraulic pump and handle assembly is covered for (24) months. The chassis and associated components are covered for (12) months. Wearable components such as wheels, rollers, and bushings are covered for (6) months.

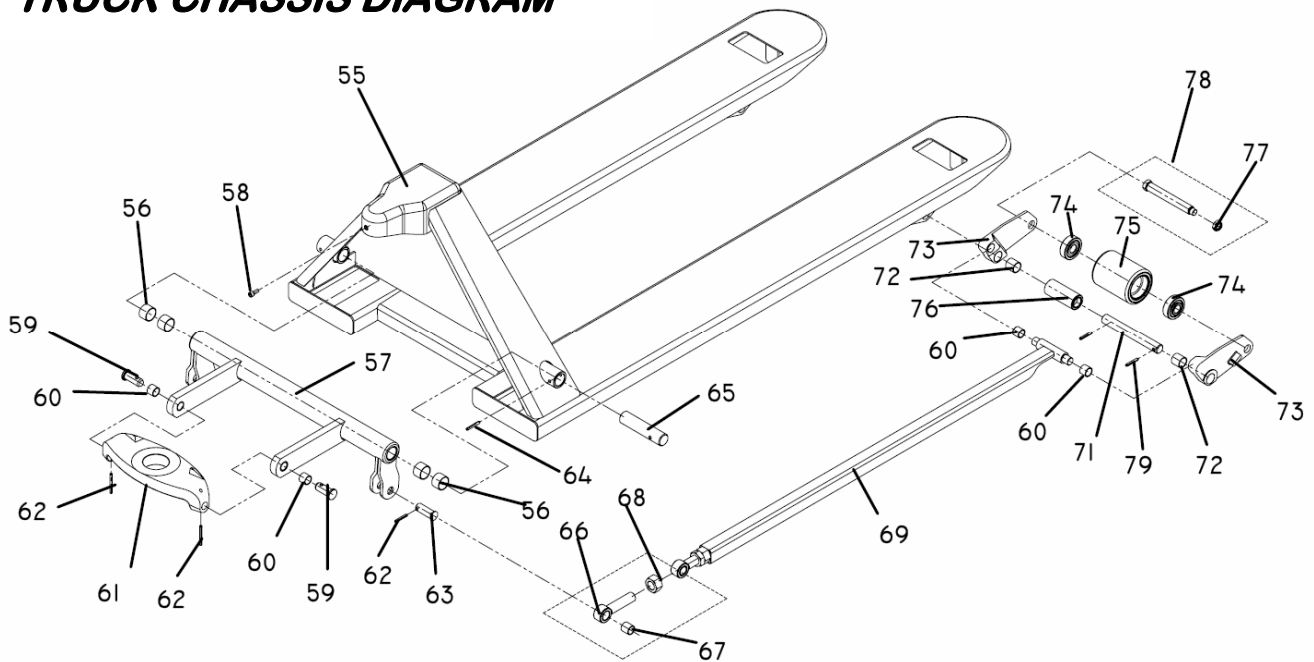
All warranty periods begin as of date of purchase. This warranty does not include labor or miscellaneous costs involved in the replacement of any components determined to be defective. In order to claim for warranty, you must supply the truck serial number, as well as date of purchase. \*Any truck used under adverse conditions, such as fish, meat or poultry processing plants, tanneries, freezer applications, or any other application where the unit is operating in water or subjected to fluid or chemicals, is **NOT** covered under any warranty. Bent, twisted or misaligned forks are clear signs of abuse and not covered under warranty.

# LIFFRITE® Model LR0655 Hand Pallet Truck

## STANDARD HYDRAULIC PUMP DIAGRAM PN-20277



## LR0655 MODEL HAND PALLET TRUCK CHASSIS DIAGRAM



# LIF-RITE® Model LR0655 Hand Pallet Truck

Item	Description	Part #	Qty
1	Handle cap	PL-20274E	1
2	Split Pin	PL-90569E	1
3	Ball	PL-10254M	2
4	Spring	PL-20274CM	1
5	Control Lever	PL-30274BDM	1
6	Control Rod assembly	PL-20274AC-M	1
7	Adjusting Nut	PL-90571	1
8	Split Pin	PL-20274RB	1
9	Roller complete with bushing	PL-20274RA	1
10	Pin	PL-20274P	1
	Complete Handle (Items 1-10)	PL-20276M	1
12	Split Pin	PL-10269	1
15	Bushing	PL-20306	2
16	Handle Bracket Pin	PL-20275	2
17	Ball	PL-10244	1
18	Main Lift Piston	PN-20243	1
19	Wiper Seal	PL-10245	1
20	Energized Seal	PL-10249	1
21	Main Seal	PL-10246	1
22	Split Pin	PL-20274S	2
23	Oil filler plug	PL-10267	1
24	Sealon	PL-10259A	1
25	Release Pin Spring	PL-10258	1
26	Release Pin O-Ring	PL-10259	2
27	Release Pin	PL-10260	1
28	Washer	PL-10239	2
29	Steer Wheel		
	Nylon complete w/bearings	PL-20236BN-B	2
	Polyurethane complete w/bearings	PL-20236B-B	2
	Steel complete w/bearings	PL-10236BS-B	2
30	Axle	PL-10240E	1
31	Snap Ring	PL-10237	2
32	Hub Cap	PL-10236C	2
33	Ball Bearing	PL-10238D	4
34	Snap Ring	PL-10235	1
35	Thrust Washer	PL-10234A	1
36	Standard Thrust Bearing	PL-10234	1
37	Thrust Collar	PL-20233	1
38	Split Pin	PL-20242	1
40	Release Lever	PL-10268	1
41	Ball	PL-10261A	1
42	Split Pin	PL-10263	1

Item	Description	Part #	Qty
43	Plug Bolt Spring	PL-10264	1
44	O-Ring	PH-10256	1
45	Ball Valve	PL-10262	1
46	Plug Bolt O-Ring	PL-10265	1
47	Plug Bolt	PL-10266	1
48	Ball	PL-10261	1
49	Pump Piston Seal	PL-10252	1
50	Pump Piston Wiper Ring	PL-10251	1
51	Handle Return Spring	PL-20253	1
52	Pump Piston Pin	PL-10250A	1
53	Pump Piston Washer	PL-10250B	1
54	Snap Ring	PL-10250C	1
	Pump Piston Complete	PL-10250	1
55	Chassis (Specify length, width & capacity)	PN-20200	1
56	Torsion Bar Bushing	PN-20203A	4
57	Torsion Bar		
	20.5" wide truck	PN-20201	1
	27" wide truck	PN-20202	1
58	Lock bolt	PN-10232	1
59	Thrust Plate Shoulder Pin	PL-30207	2
60	Bushing	PL-20206	6
61	Thrust Plate	PN-30231	1
62	Split Pin	PN-20269B	4
63	Eye-bolt Pin	PN-20227	2
64	Split Pin	PN-20269A	2
65	Bulkhead Eye Pin	PN-20204	2
66	Eye-bolt	PN-20226	2
67	Bushing	PN-20226A	2
68	Jam Nut	PN-10224AF	2
69	Push Bar		
	36" fork length (5,500 lbs)	PN-20224X36	2
	42" fork length (5,500 lbs)	PN-20224X42	2
	48" fork length (5,500 lbs)	PN-20224X48	2
71	Fork Pin	PN-20219	2
72	Bushing	PN-20203	4
73	Lever Arm Assembly w/ bushings	PN-20212	2
74	Load Roller Bearing	PL-20214	4
75	Load Roller		
	Nylon complete w/ bearings	PL-20210BN-B	2
	Polyurethane complete w/bearings	PL-20210P-B	2
	Steel complete w/bearings	PL-20210S-B	2
76	Exit Roller	PN-20220	2
77	Lock Nut	PL-10218	2
78	Axle Assembly	PL-20215	2
79	Split Pin	PN-20269	4
	<b>Replacement kits</b>		
	Pump assembly	PN-20277	
	Seal Kit	PL-20278	
	Valve Kit	PL-10279	
	Complete Pump Repair Kit	PL-20280	

## TROUBLE SHOOTING

Condition	Possible cause	Action
- Pump does not lift load	- An air lock in the hydraulic system	- Pull up on finger tip control and hold while pumping handle several times to bleed air from system.
- Lifting, neutral, and lowering does not function properly	- Chain anchor adjustment required	- Turn nut (PL-10271) on chain anchor clockwise until pumping action while in neutral does not raise forks.
- Forks raise and sink with pump action	- Dirt or foreign particle caught in cone valve seat	- Pull up on finger tip control and hold while pumping handle several times.
- Pump does not lift load to complete raised height	- Pump is low on oil due to oil leak.	- Refer to procedure for adding hydraulic oil in maintenance section.
- Forks are not lowering all the way	- Push bars need adjustment	- Refer to push bar linkage adjustment in the maintenance section.

## MAINTENANCE

### Lubrication

All pivot points are equipped with permanently lubricated bushings and bearings. To increase bearing life, it is recommended that a few drops of light machine oil be applied at each pivot point every 6 months. The thrust plate is equipped with a grease zerk. This should be greased every 6 months.

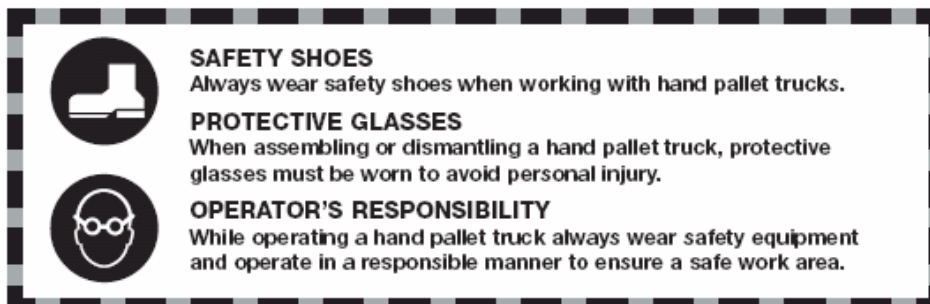
### Hydraulic system

Your hydraulic system is maintenance free. Do not add hydraulic oil unless there is, or has been a leak. Use Premium HVI hydraulic oil or equal. Other oils, fluids or solvents can damage your hydraulic system. If additional oil is required, position forks in lowered position. Remove oil level plug (PL-10267). Refill with hydraulic oil to plug hole level. Replace oil level plug.

### Push bar linkage adjustment

If the forks do not rise evenly at the tips, or the roller levers begin to drag on the floor the following adjustment is necessary:

- Turn the hand pallet truck over so that the under side of the forks are accessible.
- Remove one split pin (PN-20269B) with 3/16" punch.
- Remove pin (PN-20227) from bracket.
- Adjust eye bolts (PN-20226). Turn counter-clockwise to raise fork tips and clockwise to lower fork tips
- Replace pin (PN-20227) through eye bolt and replace split pin (PN-20269B).
- When adjusted properly the forks should be 3" low height from ground level in the lowered position (LR0655 Model).



## **TABLE OF CONTENTS**

DELIVERY INSPECTION	2
SAFETY PROCEDURES/OPERATION	3
MAINTENANCE	4
TROUBLE SHOOTING	5
HYDRAULIC PUMP CHANGE PROCEDURE	6
WARRANTY POLICY	7
STANDARD PUMP AND HANDLE ASSEMBLY	8 - 9
LR2055 & L60 MODELS - FRAME ASSEMBLY	8 - 9
L50M & L50MU MODELS (including 4WAY) - FRAME ASSEMBLY	10 - 11
HEAVY DUTY PUMP AND HANDLE ASSEMBLY	12 - 13
L80 & L100 MODELS - FRAME ASSEMBLY	12 - 13
OPTIONAL TANDEM LOAD ROLLER & BRAKE ASSEMBLY	14 - 15

### **DELIVERY INSPECTION**

Visually inspect hand pallet truck frame components and hydraulic unit for damage during shipment by carrier. If damage is evident, notify delivering carrier immediately and file necessary claims. Test the hand pallet truck pump for operation. **If the hydraulic pump does not respond to movement of the handle, an air lock may have developed during shipping. To remedy this, pull and hold the release lever then operate the pump several times. If the pump still fails to respond, see the trouble shooting guide on page 5.**



#### **SAFETY SHOES**

Always wear safety shoes when working with hand pallet trucks.

#### **PROTECTIVE GLASSES**

When assembling or dismantling a hand pallet truck, protective glasses must be worn to avoid personal injury.



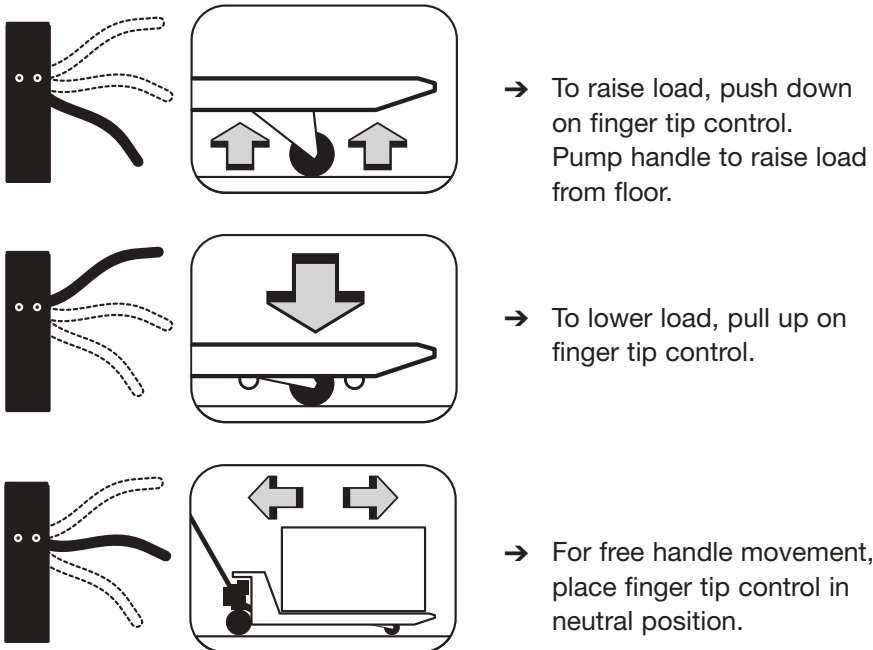
#### **OPERATOR'S RESPONSIBILITY**

While operating a hand pallet truck always wear safety equipment and operate in a responsible manner to ensure a safe work area.

## **SAFETY PROCEDURES**

- Never overload your hand pallet truck. Stay within rated capacity. Do not operate truck if it has been damaged or is not in proper working order.
- Distribute the load evenly on the forks. Do not concentrate loads at one point or load one fork more than the other. Only handle loads on flat level surfaces. Do not use this truck with load on inclines or declines.
- Never put your feet, hands or any other body part under the frame assembly.
- Do not allow your hand pallet truck to drop from one level to another. Even a drop of 1" (25mm) more than doubles the effective load momentarily and results in a "Shock" which can bend or break components.
- Always ensure load is stable before moving to eliminate opportunity for load shift.
- When not in use, forks should be fully lowered to avoid injury.

## **OPERATING INSTRUCTIONS**



→ To raise load, push down on finger tip control. Pump handle to raise load from floor.

→ To lower load, pull up on finger tip control.

→ For free handle movement, place finger tip control in neutral position.

**NOTE:** The neutral position disengages the pump from the lifting mechanism. This frees the handle, which makes pulling loads much easier. Also the pump is not being subjected to shock pressures while the truck is in motion.

## **MAINTENANCE**

### **Lubrication**

All pivot points are equipped with permanently lubricated bushings and bearings. To increase bearing life, it is recommended that a few drops of light machine oil be applied at each pivot point every 6 months.

The thrust plate is equipped with a grease zerk. This should be greased every 6 months.

### **Hydraulic system**

Your hydraulic system is maintenance free. Do not add hydraulic oil unless there is, or has been a leak. Use Premium HVI hydraulic oil or equal.

Other oils, fluids or solvents can damage your hydraulic system.

If additional oil is required, position forks in lowered position.

Remove oil level plug (PL-10267). Refill with hydraulic oil to plug hole level.

Replace oil level plug.

### **Push bar linkage adjustment**

If the forks do not raise evenly at the tips, or the roller levers begin to drag on the floor the following adjustment is necessary:

- Turn the hand pallet truck over so that the under side of the forks are accessible.
- Remove one split pin (PL-20269) with 3/16" punch.
- Remove pin (PL-20227) from bracket.
- Adjust eye bolts (PL-20226). Turn counter-clockwise to raise fork tips and clockwise to lower fork tips
- Replace pin (PL-20227) through eye bolt and replace split pin (PL-20269).
- When adjusted properly the forks should be 3" low height from ground level in the lowered position (LR2055 Model).



## ***TROUBLE SHOOTING***

<b>Condition</b>	<b>Possible cause</b>	<b>Action</b>
- Pump does not lift load	- An air lock in the hydraulic system	- Pull up on finger tip control and hold while pumping handle several times to bleed air from system.
- Lifting, neutral, and lowering does not function properly	- Chain anchor adjustment required	- Turn nut (PL-90571) on chain anchor clockwise until pumping action while in neutral does not raise forks.
- Forks raise and sink with pump action	- Dirt or foreign particle caught in cone valve seat	- Pull up on finger tip control and hold while pumping handle several times.
- Pump does not lift load to complete raised height	- Pump is low on oil due to oil leak.	- Refer to procedure for adding hydraulic oil in maintenance section.
- Forks are not lowering all the way	- Push bars need adjustment	- Refer to push bar linkage adjustment in the maintenance section.

## **HYDRAULIC PUMP CHANGE PROCEDURE (Model LR2055)**

### **Tools:**

- 1) Hammer
- 2) Flat head screw driver
- 3) 1/4" straight shank punch
- 4) Snap Ring pliers (Gray No. B128)
- 5) 3mm straight shank punch
- 6) Retaining ring pliers (Gray No. B108 )
- 7) Retaining ring pliers (Gray No. B109 )
- 8) 2" x 4" wood block - approx. 4" longer than truck width

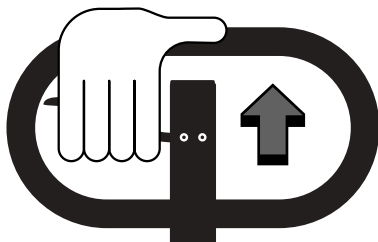
### **Removal of pump:**

- 1) Pump-up pallet truck (unloaded) and remove snap ring (# PL20232) (tool #4).
- 2) Place (tool #8) under forks at bulkhead; lower truck fully and remove split pins (PL20269) (tool #1 & #5) and remove thrust plate shoulder pins (PL30207).
- 3) Tilt pump handle forward and roll out.
- 4) Place pump assembly on work platform; remove (1) hub cap (# PL10236c)(tools #1, #2).
- 5) Knock out 1/4" dia. spring pin (# PL20242) (tools #1, #3).
- 6) Remove snap ring (# PL10237) (tool #6) from axle; disassemble and remove wheel assembly from pump.
- 7) Remove snap ring (# PL10235) (tool #7) from cylinder; disassemble and remove washer, thrust plate, bearing and pump collar.

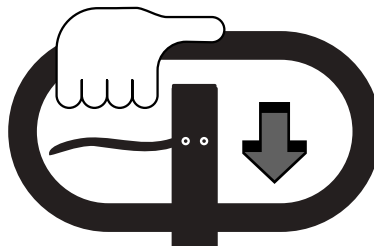
### **Notes:**

- A) Clean thrust plate before reinstalling a new pump.
- B) Grease the hole in the center of the thrust plate.
- C) Grease the ball socket before installing ball (PL10244).

**IF THE PUMP DOES NOT  
LIFT NORMALLY PULL UP  
ON CONTROL LEVER AND  
HOLD WHILE PUMPING  
HANDLE SEVERAL TIMES.**



**THEN SET CONTROL LEVER  
TO PUMP POSITION AND  
PUMP HANDLE NORMALLY  
TO LIFT LOAD.**



## **HAND PALLET TRUCK WARRANTY**

Lift-Rite Inc. will guarantee this product against material or manufacturing defects provided the truck has not been abused and is used under normal conditions\*. Lift-Rite Inc. will provide replacement components for those deemed defective by Lift-Rite Inc. under the terms listed below for the following models:

### **Models LR2055, L50M, L50M-4WAY, L50MU, L50MU-4way**

The complete hydraulic pump and handle assembly is covered for (2) years. The chassis and associated components are covered for (12) months. Wearable components such as wheels, rollers, and bushings are covered for (6) months.

### **Models L60, L80, L100, Freezer Special models**

All parts and components are covered for a (6) month period.

All warranty periods begin as of date of purchase.

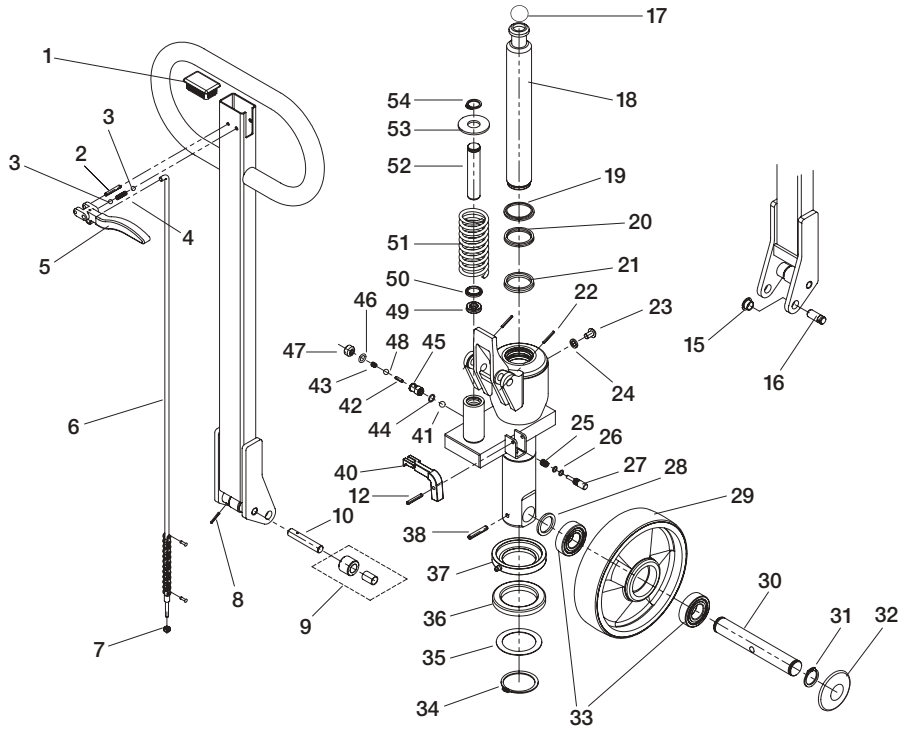
This warranty does not include labor or miscellaneous costs involved in the replacement of any components determined to be defective.

In order to claim for warranty, you must supply the truck serial number, as well as date of purchase. \*Any truck used under adverse conditions, such as fish, meat or poultry processing plants, tanneries, freezer applications, or any other application where the unit is operating in water or subjected to fluid or chemicals, is **NOT** covered under any warranty. A freezer special truck prevents the frame and components from rusting out prematurely.

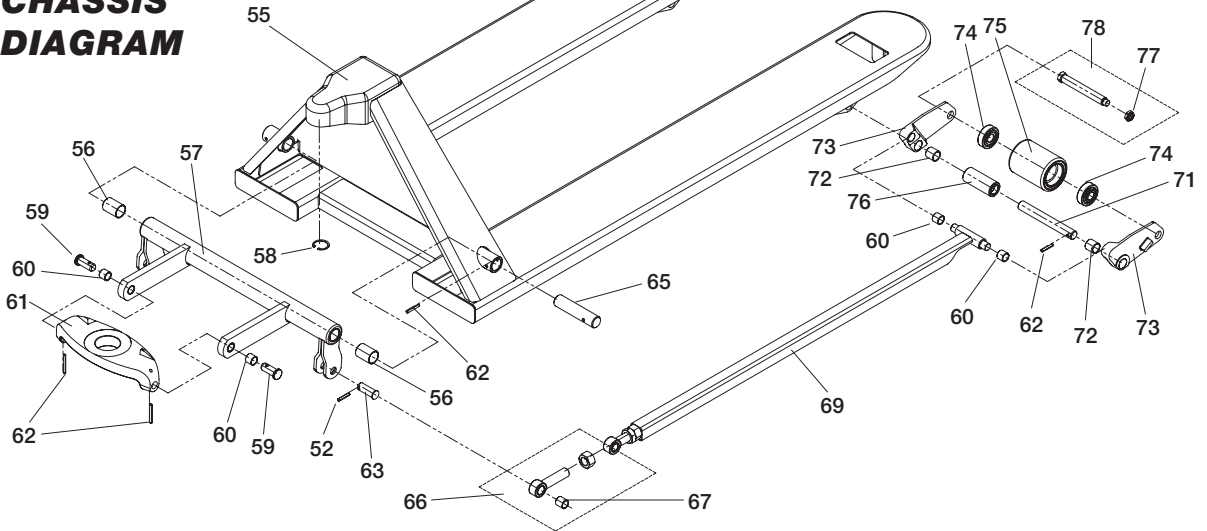
The hydraulic pump, all bearings, as well as bushings are still subject to condensation and therefore premature failure.

Bent, twisted or misaligned forks are clear signs of abuse and are not covered under warranty.

## STANDARD HYDRAULIC PUMP DIAGRAM PL20277



## LR2055 & L60 MODEL HAND PALLET TRUCK CHASSIS DIAGRAM

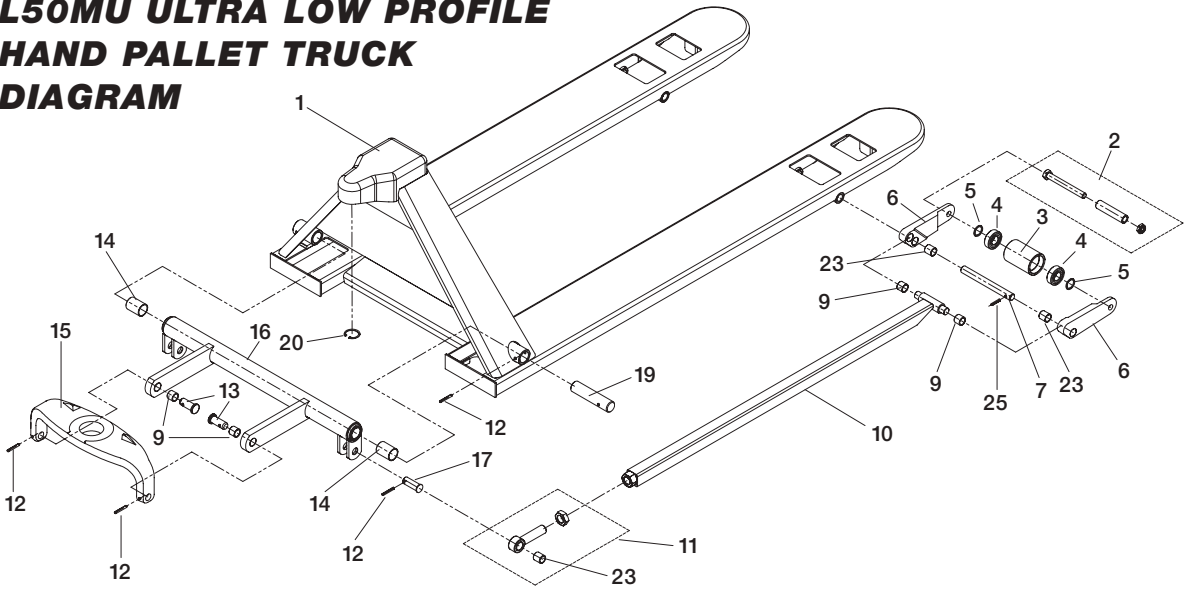


Item No.	DESCRIPTION	Part No.	Qty.
1	Handle cap	PL20274E	1
* 2	Split Pin	PL90569E	1
3	Ball	PL10254M	2
* 4	Spring	PL20274CM	1
5	Control Lever	PL20274BDM	1
* 6	Control Rod assembly	PL-20274AC-M1	
7	Adjusting Nut	PL90571	1
* 8	Split Pin	PL20274RB	1
* 9	Roller complete with bushing	PL20274RA	1
* 10	Pin	PL20274P	1
	Complete Handle (Items 1-10)	PL20276M	1
* 12	Split Pin	PL10269	1
15	Bushing	PL20306	2
* 16	Handle Bracket Pin	PL20275	2
17	Ball	PL10244	1
* 18	Main Lift Piston	PL20243	1
19	Wiper Seal	PL10245	1
20	Energized Seal	PL10249	1
21	Main Seal	PL10246	1
* 22	Split Pin	PL20274S	2
23	Oil filler plug	PL10267	1
24	Sealon	PL10259A	1
25	Release Pin Spring	PL10258	1
26	Release Pin O-Ring	PL10259	2
27	Release Pin	PL10260	1
* 28	Washer	PL10239	2
29	Steer Wheel		
	Nylon complete w/bearings	PL20236BN-B	2
	Polyurethane complete w/bearings	PL20236B-B	2
	Steel complete w/bearings	PL20236BS-B	2
* 30	Axle	PL10240E	1
* 31	Snap Ring	PL10237	2
32	Hub Cap	PL10236C	2
33	Ball Bearing	PL10238D	4
* 34	Snap Ring	PL10235	1
35	Thrust Washer	PL10234A	1
* 36	Standard Thrust Bearing	PL10234	1
	H.D Thrust Bearing (L60, L80, L100 Models)	PH10234	1
37	Thrust Collar (for standard thrust bearing only)	PL20233	1
* 38	Split Pin	PL20242	1
40	Release Lever	PL10268	1
41	Ball	PL10261A	1
42	Split Pin	PL10263	1
43	Plug Bolt Spring	PL10264	1
44	O-Ring	PH10256	1
45	Ball Valve	PL10262	1
46	Plug Bolt O-Ring	PL10265	1
* 47	Plug Bolt	PL10266	1
48	Ball	PL-10261	1
49	Pump Piston Seal	PL10252	1
50	Pump Piston Wiper Ring	PL10251	1
* 51	Handle Return Spring	PL20253	1

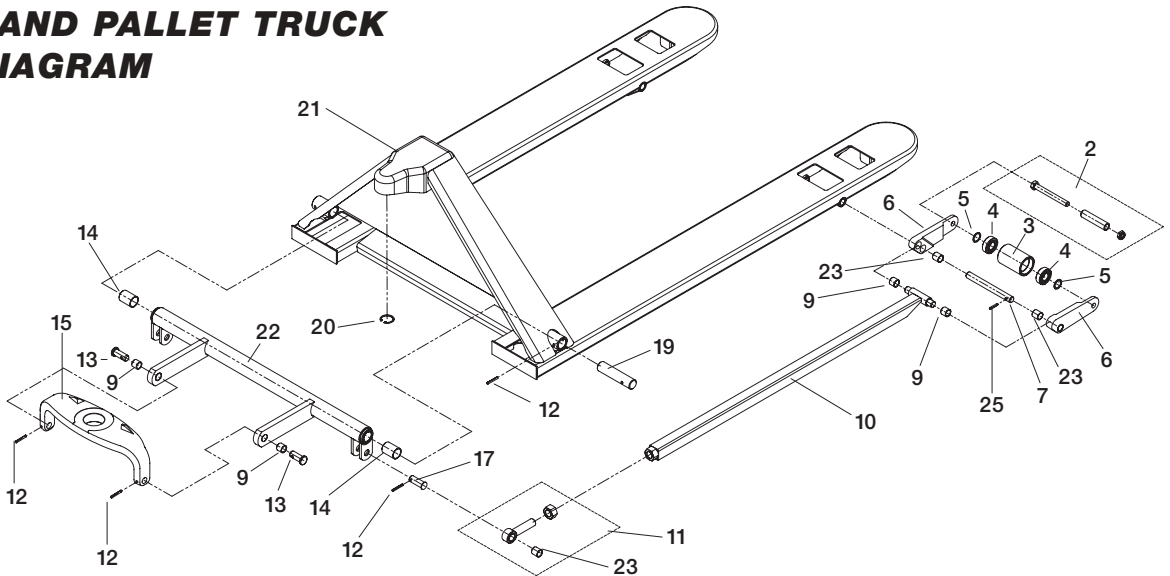
Item No.	DESCRIPTION	Part No.	Qty.
* 52	Pump Piston Pin	PL10250A	1
53	Pump Piston Washer	PL10250B	1
54	Snap Ring	PL10250C	1
	Pump Piston Complete	PL10250	1
* 55	Chassis (Specify length, width & capacity)	PL20200	1
56	Torsion Bar Bushing	PL20203A	2
* 57	Torsion Bar		
	20.5" wide truck	PL20201	1
	27" wide truck	PL20202	1
* 58	Snap Ring	PL20232	1
59	Thrust Plate Shoulder Pin	PL30207	2
60	Bushing	PL20206	6
* 61	Thrust Plate	PL30231	1
* 62	Split Pin	PL20269	8
* 63	Eye Bolt Pin	PL20227	2
* 65	Bulkhead Eye Pin	PL20204	2
* 66	Eye Bolt includes bushing and nut	PL20226	2
67	Eye Bolt Bushing	PL20226A	2
* 69	Push Bar		
	36" fork length (5,500 lbs)	PL20224x36	2
	42" fork length (5,500 lbs)	PL20224x42	2
	48" fork length (5,500 lbs)	PL20224x48	2
	36" fork length (6000 lbs)	P620224x36	2
	42" fork length (6000 lbs)	P620224x42	2
	48" fork length (6000 lbs)	P620224x48	2
* 71	Fork Pin	PL20219	2
72	Bushing	PL20203	4
* 73	Lever Arm Assembly Complete with Bushings	PL20212	2
74	Load Roller Bearing	PL20214	4
75	Load Roller Nylon complete w/ bearings	PL20210BN-B	2
	Polyurethane complete w/bearings	PL20210P-B	2
	Steel complete w/bearings	PL20210S-B	2
* 76	Exit Roller complete with bushings	PL20220	2
77	Lock Nut	PL10218	2
78	Axle Assembly	PL20215	2
	Replacement kits		
	Pump assembly (5,500 lbs & 6000 lbs)	PL20277	1
	Seal Kit	PL20278	1
	Valve Kit	PL10279	1
	Complete Pump Repair Kit	PL20280	1

\* Change PL prefix to PG for unique freezer special part numbers.

**L50M LOW PROFILE,  
L50MU ULTRA LOW PROFILE  
HAND PALLET TRUCK  
DIAGRAM**



**L50M-4WAY, L50MU-4WAY  
HAND PALLET TRUCK  
DIAGRAM**

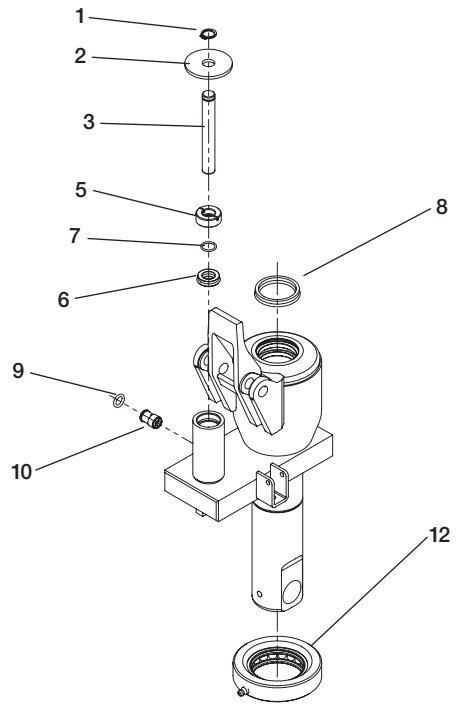


Item No.	DESCRIPTION	Part Number	Quantity
1	Chassis		
	-L50M (2" low profile)	PM20200	1
	-L50MU (1.75" ultralow profile)	PM20200U	1
2	Axle includes bolt, sleeve, and nut	PM10215	2
3	Load Roller (L50M, L50M-4WAY)		
	-Steel	PM10210S-B	2
	-Polyurethane	PM10210P-B	2
	Load Roller (L50MU, L50MU-4Way)		
	Steel	PM10210U-B	2
4	Bearing (L50M, L50M-4WAY)		
	-Steel/ Poly Load Roller	PM10214S	4
	Bearing (L50MU, L50MU-4Way)		
	-Steel	PM10214P	4
5	Spacer Washer	PL10216	4
6	Lever Arm assembly includes bushings		
	(L50M, L50M-4WAY)	PM20212	2
	(L50MU, L50MU-4WAY)	PM30212U	2
7	Fork Pin	PM10219	2
9	Bushing	PL20206	6
10	Push Rod		
	-L50M (Specify fork length)	PM20224x__	2
	-L50MU (Specify fork length)	PM20224x__U	2
	-L50M-4WAY	PM20224x48	2
	-L50MU-4WAY	PM20224x48U	2
11	Eye Bolt includes Nut and Bushing	PL20226	2
12	Split Pin	PL20269	6
13	Thrust Plate Shoulder Pin	PL30207	2
14	Bushing	PL20203A	2
15	Thrust Plate (L50M, L50MU & 4way models)	PM20231C	1
16	Torsion Bar		
	-20.5" wide truck	PM20201	1
	-27" wide truck	PM20202	1
17	Eye Bolt Pin	PL20227	2
19	Bulkhead Pin	PL20204	2
20	Retaining Ring	PL20232	1
21	Chassis		
	-L50M-4WAY (2" low profile)	PF20200	1
	-L50MU-4WAY (1.75" ultralow profile)	PF20200U	1
22	Torsion Bar	PF20203	1
23	Bushing	PL20226A	6
25	Split Pin	PM20269	2

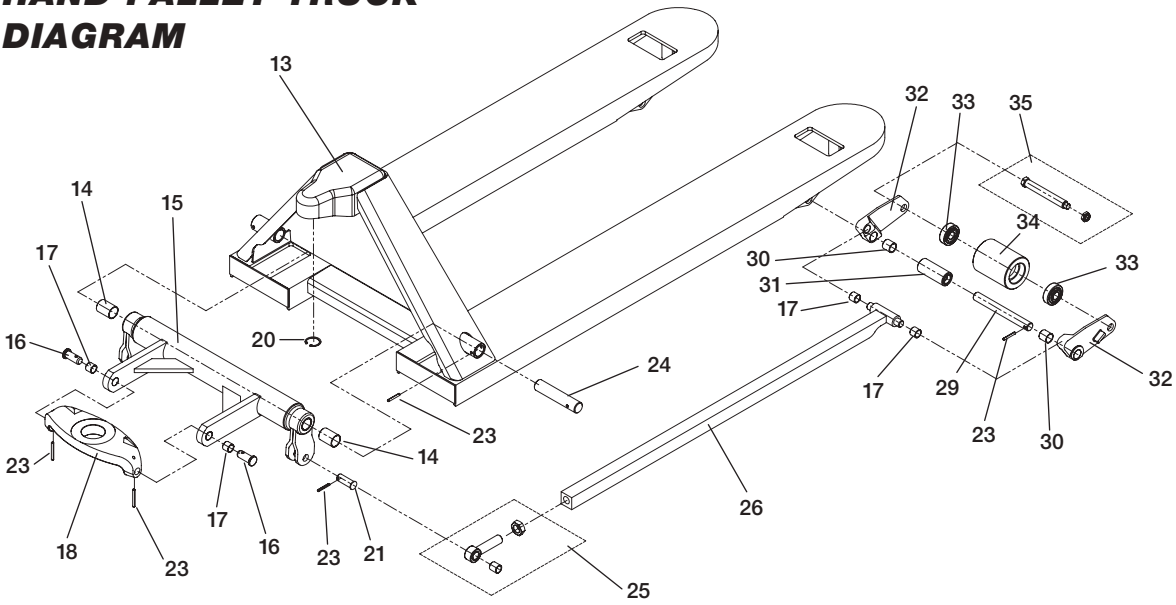
**HEAVY DUTY PUMP  
DIAGRAM (PH20277)**

**Note:**

Parts shown are unique to the heavy duty hand pallet truck pump.  
Parts not shown are the same as the standard pump.

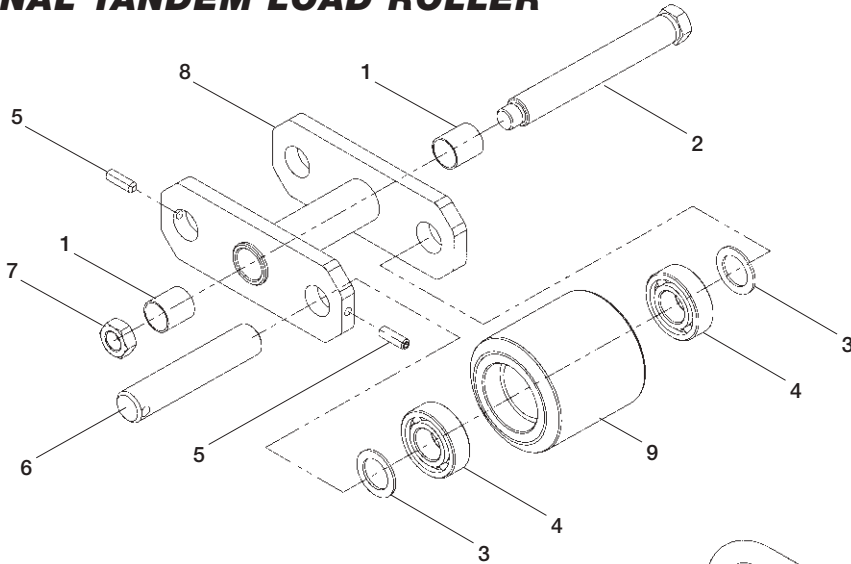
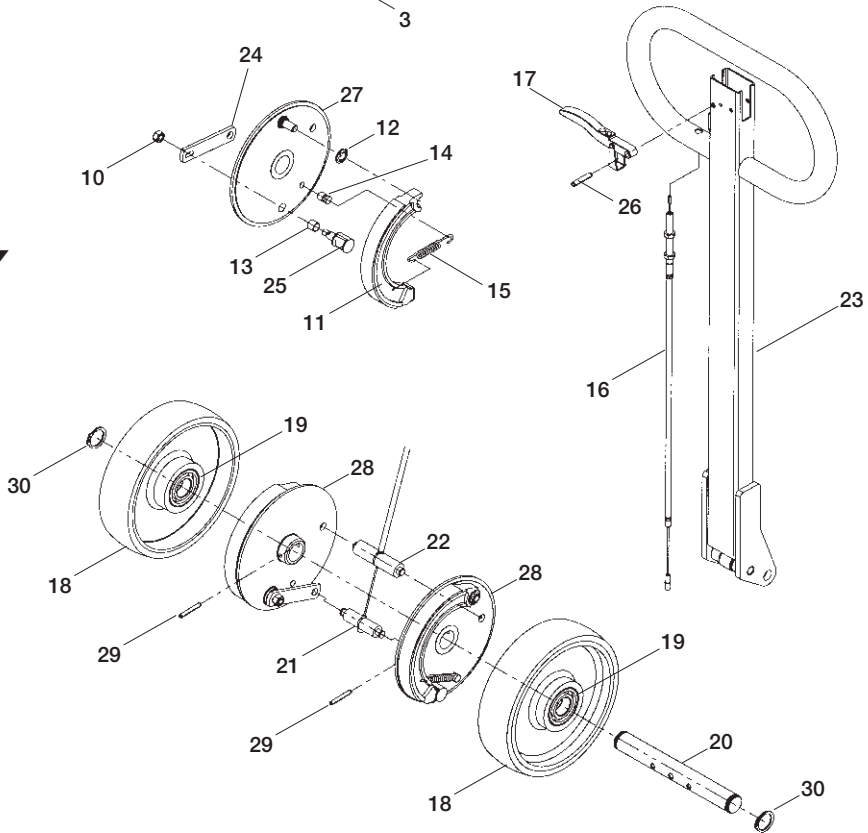


**L80 & L100 MODEL  
HAND PALLET TRUCK  
DIAGRAM**





Item No.	DESCRIPTION	Part Number	Quantity
1	Snap Ring	PH10250C	1
2	Pump Piston Washer	PH10250B	1
3	Pump Piston Pin	PH10250A	1
	Pump Piston Complete (Items 1-3)	PH10250	1
5	Piston Nut	PH10277K	1
6	Seal	PH10252	1
7	O-Ring	PH10251	1
8	Seal	PH10246	1
9	O-Ring	PH10265	1
10	Slow Release Valve	PH10262S	1
12	Heavy Duty Thrust Bearing Assembly	PH10234	1
	Replacement heavy duty pump kits available		
	Heavy duty seal kit	PH20278	1
	Heavy duty valve kit	PH10279	1
	Heavy duty complete pump repair kit	PH20280	1
	Pump Assembly (8,000 lbs & 10,000 lbs)	PH20277	1
13	Chassis (Specify length, width and Capacity)		
	8,000 lbs. Capacity	PH20200	1
	10,000 lbs. Capacity	PX20200	1
14	Bushing	PL20203A	2
15	Torsion Bar		
	8,000 lbs. Capacity (20.5" wide truck)	PH20201	1
	8,000 lbs. Capacity (27" wide truck)	PH20202	1
	10,000 lbs. Capacity (20.5" wide truck)	PX20201	1
	10,000 lbs. Capacity (27" wide truck)	PX20202	1
16	Thrust Plate Shoulder Pin	PL30207	2
17	Bushing	PL20206	6
18	Thrust Plate	PL30231	1
20	Snap Ring	PL20232	1
21	Eye Bolt Pin	PL20227	2
23	Split Pin	PL20269	8
24	Bulkhead Pin	PL20204	2
25	Eye Bolt including Nut and Bushing	PH20226	2
26	Push Bar		
	8,000 lbs. capacity (Specify fork length)	PH20224x__	2
	10,000 lbs. capacity (Specify for length)	PX20224x__	2
29	Fork Pin	PL20219	2
30	Bushing	PL20203	4
31	Exit Roller complete with Bushings	PL20220	2
32	Lever Arm Assembly		
	8,000 lbs capacity	PL20212	2
	10,000 lbs capacity	PH20212	2
33	Ball Bearing	PL20214	4
34	Load Roller – Steel complete w/ bearing	PL20210S-B	2
35	Axle Assembly	PL20215	2

**OPTIONAL TANDEM LOAD ROLLER****OPTIONAL  
BRAKE  
ASSEMBLY**

Item No.	DESCRIPTION	Part Number	Quantity
1	Bushing	PT-20216A	2
2	Axle	PL-20215-I	1
3	Steel Spacer Washer	PL-10219A	4
4	Ball Bearing	PM-10214S	4
5	Set Screw	MI-SETDC.75	2
6	Tandem Load Roller Axle	PT-30212	2
7	Lock Nut	PL-10218	1
8	Tandem Bracket	PT-20211	1
9	Tandem Roller		
	Nylon Roller	PT-30213N	2
	Poly/ Steel Roller	PT-30213P	2
	Steel Roller	PT-30213S	2
10	Hex Nut	PB20210C	2
11	Brake Shoe	PB20212	2
12	Retaining Star Washer	PB20211C	2
13	Bushing	PB20211D	2
14	Hand Brake Spring Bar	PB20211G	2
15	Hand Brake Return Spring	PB20216	2
16	Brake Cable	PB20217	1
17	Brake Lever	PB20219	1
18	Brake Wheel	PB20220	2
19	Bearing	PL10238D	4
20	Brake Axle	PB20222	1
21	Brake Connection Rod	PB20223A	1
22	Brake Support Axle	PB20223B	1
23	Complete brake handle (cable not included)	PB-20376C-M	1
24	Hand Brake Eccentric Plate	PB20210A	2
25	Hand Brake Eccentric	PB20210B	2
26	Split Pin	PL10209	1
27	Brake Backing Plate (Left/Right)	PB20211A / PB20211B	1
28	Brake Assembly (Left/ Right)	PB20213-L / PB20213-R	1
29	Split Pin	PL90569F	2
30	Snap Ring	PL10237	2

# LIFT-RITE®

**HAND PALLET TRUCKS • STACKERS • ERGONOMIC 3000**



Due to LIFT-RITE'S continuing product development program, specifications are subject to change without notice.  
Contact your authorized LIFT-RITE dealer to confirm the most recent specifications.